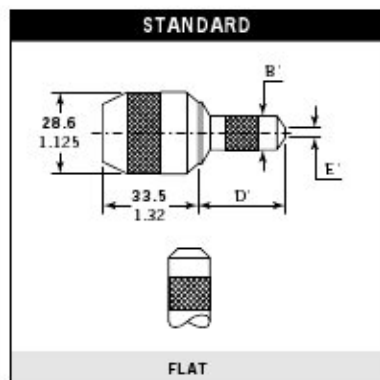


Avtronic® Nose Equipment

Ensembles de nez / Mundstücke / Equipaggiamento / Equipos de colocación

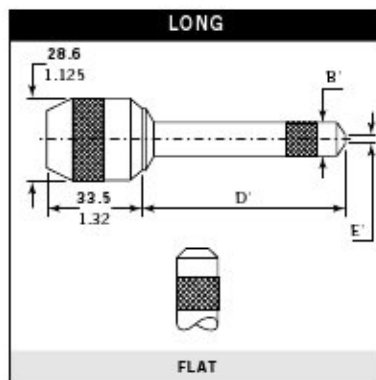


Applications with no or little access restrictions.
Pour applications ne présentant que peu ou pas de contraintes d'accès.

Für alle gut zugänglichen Nietpunkte.

Adatta per applicazioni senza restrizioni di accesso o con restrizioni di accesso limitate.

Apta para aquellas aplicaciones sin ninguna o pocas restricciones de acceso.



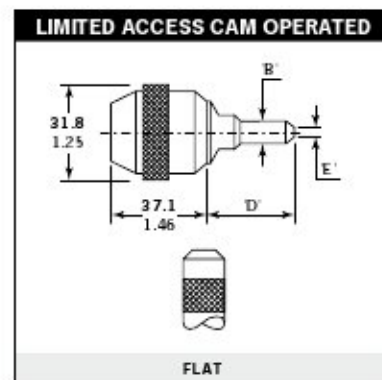
Allows more penetration into applications.

Permet une pénétration supérieure dans les applications sans autres contraintes d'accès.

Für tiefsitzende und eng an den Bauteilseiten anliegende Nietpunkte.

Consente una penetrazione maggiore nell'applicazione senza altre restrizioni di accesso.

Permite una mayor profundidad de acceso en aquellas aplicaciones sin restricción de acceso en anchura.



Allows access into very restrictive applications.

Permet d'accéder à des applications à accès très limité.

Für eng an den Bauteilseiten anliegende Nietpunkte.

Consente l'accesso ad applicazioni con serie restrizioni di accesso.

Permite el acceso en aplicaciones de acceso extremadamente limitado.

ø nom.	Fastener / Rivets / Niettyp / Rivetti / Remaches	Nose Equipment / Nez de pose / Mundstück / Testata / Boquilla /	Part No/ref	Dimensions / Dimension / Abmessungen / Dimensioni / Dimensiones		
				B	D	E
2.5	Avtronic®	Standard	07150-03003	9.14	33.02	4.06
		Long	07150-04003	10.41	58.42	4.06
		Limited Access	07271-08000	10.41	29.97	4.06
2.8		Standard	07271-05600	9.14	33.02	4.06
		Long	07271-05900	10.41	58.42	4.06
		Limited Access	07271-08100	10.16	29.97	4.06

all dimensions in mm / en millimètres / alle Maße in mm / in millimetri / en milímetro



An Acument™ Global Technologies Company

www.avdel-global.com

Avtronic® is a trademark of Avdel UK Limited

Avdel - Partner seit 1986



© 2007 Acument Intellectual Properties, LLC

05.2009

Data shown is subject to change without prior notice as a result of continuous product development and improvement policy.
Your local Avdel representative is at your disposal should you need to confirm latest information.

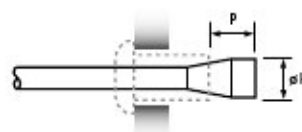
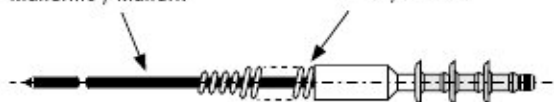
Avtronic® Mandrel & Spring Information

Aiguilles et Ressorts d'aiguille / Nietdorne und -federn

Mandrini e Molle / Mandriles y Muelles

Mandrel / Aiguille / Nietdorn
Mandrino / Mandril

Spring / Ressort d'aiguille / Nietdornfeder /
Molla / Muelle



nom.	Description / description / Beschreibung / descrizione / descripción 1)	ø H	P max.	Standard Nose Equipment Nez de pose Standard Standard-Mundstück Testata Standard Boquilla Estándard		Long Nose Equipment Nez de pose Long Langes Mundstück Testata Lunga Boquilla Larga		Limited Access Equipment Nez d'accès limité Mundstück abgesetzt Testata Accesso limitato Boquilla Acceso limitado	
				Mandrel Part No/ref	Spring Part No/ref	Mandrel Part No/ref	Spring Part No/ref	Mandrel Part No/ref	Spring Part No/ref
2.5	as rec. Standard green	1.78	3.56	07170-06025		07170-07025		07170-06025	
	+ 0.07 1. oversize yellow	1.85	3.56	07170-06125	07150-06803	07170-07125	07150-07803	07170-06125	07150-06803
	+ 0.15 2. oversize blue	1.93	3.56	07170-06225		07170-07225		07170-06225	
2.8	as rec. Standard green	2.01	3.81	07170-06028		07170-07028		07170-06028	
	+ 0.07 1. oversize yellow	2.08	3.81	07170-06128	07170-06528	07170-07128	07170-07528	07170-06128	07170-06873
	+ 0.15 2. oversize blue	2.16	3.81	07170-06228		07170-07228		07170-06228	

all dimensions in mm / en millimètres / alle Maße in mm / in millimetri / en milimetro

1) Standard green / Standard verte / Standard grün / Standard verde / Estándar verde

1. oversize yellow / 1. surdimensionnée jaune / 1. Übermaß gelb / 1. maggiorazione giallo / 1. sobremedida amarillo

2. oversize blue / 2. surdimensionnée bleue / 2. Übermaß blau / 2. maggiorazione blu / 2. sobremedida azul



An Acument™ Global Technologies Company

www.avdel-global.com

Avtronic® is a trademark of Avdel UK Limited

Avdel - Partner seit 1986



© 2007 Acument Intellectual Properties, LLC

05.2007

Data shown is subject to change without prior notice as a result of continuous product development and improvement policy.
Your local Avdel representative is at your disposal should you need to confirm latest information.