

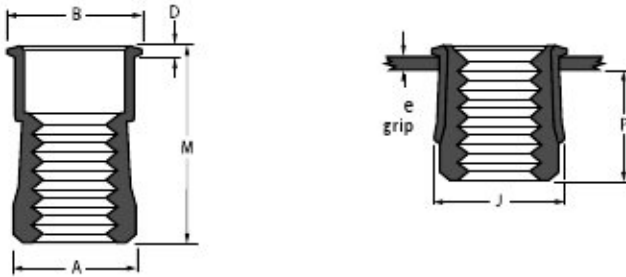
Supersert® FB08




For installation information please refer to the tooling overview and manuals on our website www.avdel-global.com.
 Pour les conditions de pose, merci de vous référer à la description de l'outil et aux manuels disponibles sur notre site Web.
 Angaben zur Verbeitung entnehmen Sie bitte der Geräteübersicht und den Betriebsanleitungen auf unserer Website.
 Per informazioni sull'installazione preghiamo consultare i manuali e la panoramica degli attrezzi sul nostro sito web.
 Para ver información sobre máquinas de colocación, consulte nuestra página web, a partir de visión general de máquinas y manuales.

English	Français	Deutsch	Italiano	Español
Low carbon steel*	Acier bas carbone*	Stahl*	Acciaio a basso tenore di carbonio*	Acero bajo en carbono*
Zinc plated Clear trivalent passivated Lubricated	Revêtement zingué, Passivation claire trivalente Lubrifié	Verzinkt Klar chromatiert, Cr6-frei Trockenfilmbeschichtet	Zincatura spessore Passivazione chiara trivalente Lubrificato	Zincado Pasivado claro trivalente Lubricado

* : BS 970 230 M07



ø	e (grip)		 +0.1/-0	A max.	B max.	D max.	J max.	M nom.	P max.	Part No/ref
	min.	max.								
M3 x 0.5	0.80	2.30	4.77	4.75	5.50	0.50	5.70	10.50	4.50	0FB08-70313
	2.30	3.20	4.80							
	3.20	3.95	4.90							
	> 3.95		4.90							
M4 x 0.7	0.80	2.30	6.35	6.34	7.00	0.55	7.20	11.60	5.40	0FB08-70414
	2.30	3.20	6.40							
	3.20	3.95	6.50							
	> 3.95		6.60							
M5 x 0.8	0.80	1.60	7.14	7.13	7.90	0.60	8.20	11.60	5.40	0FB08-70514
	1.60	2.30	7.30							
	2.30	3.20	7.40							
	3.20	3.95	7.50							
	> 3.95		7.50							
M6 x 1.0	0.80	1.60	9.53	9.41	10.30	0.65	10.60	13.30	5.40	0FB08-70616
	1.60	2.30	9.60							
	2.30	3.20	9.70							
	3.20	3.95	9.80							
	> 3.95		9.80							
M8 x 1.25	1.60	2.30	12.70	12.69	13.50	0.65	13.80	15.90	5.80	0FB08-70820
	2.30	3.20	12.80							
	3.20	4.75	12.90							
	4.75	6.35	13.00							
	> 3.95		13.10							

all dimensions in mm / en millimètres / alle Maße in mm / in millimetri / en milímetros

Avdel - Partner seit 1986



An Acument™ Global Technologies Company

www.avdel-global.com

Supersert® is a trademark of Avdel UK Limited



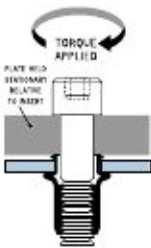
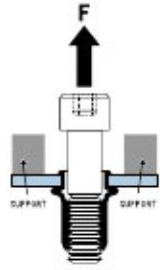
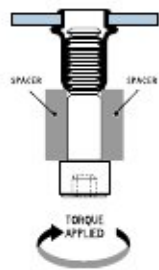
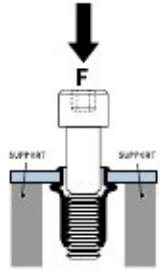
www.duko.com

02241/252015-0

04a.2007, page 1/2

Data shown is subject to change without prior notice as a result of continuous product development and improvement policy.
 Your local Avdel representative is at your disposal should you need to confirm latest information.

Supersert® FB08

	 Recommended max. torque	 Pull-out	 Torque-to-turn	 Push-out
ø	Nm max.	kN	Nm min.	kN
M3 x 0.5	1.1	3.1	0.2	0.2
M4 x 0.7	5.1	3.6	0.3	0.3
M5 x 0.8	7.9	6.2	0.6	0.5
M6 x 1.0	12.4	7.5	1.1	0.5
M8 x 1.25	16.4	9.3	1.7	0.5