

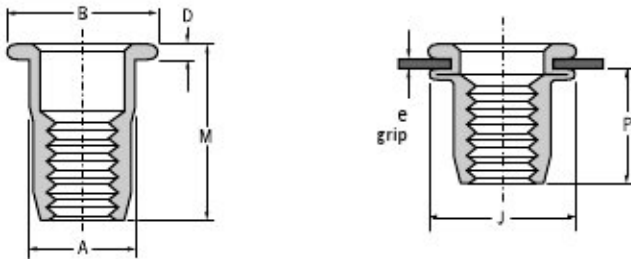
# Eurosert® 9408



For installation information please refer to the tooling overview and manuals on our website [www.avdel-global.com](http://www.avdel-global.com).  
 Pour les conditions de pose, merci de vous référer à la description de l'outil et aux manuels disponibles sur notre site Web.  
 Angaben zur Verbeitung entnehmen Sie bitte der Geräteübersicht und den Betriebsanleitungen auf unserer Website.  
 Per informazioni sull'installazione preghiamo consultare i manuali e la panoramica degli attrezzi sul nostro sito web.  
 Para ver información sobre máquinas de colocación, consulte nuestra página web, a partir de visión general de máquinas y manuales.

English	Français	Deutsch	Italiano	Español
Large flange	A collerette	Flachkopf	Flangiato	Ala Ancha
Low carbon steel*	Acier bas carbone*	Stahl*	Acciaio a basso tenore di carbonio*	Acero bajo en carbono*
Zinc plated	Revêtement zingué	Verzinkt	Zincato	Zincado
Clear trivalent passivated	Passivation claire trivalente	Klar chromatiert, Cr6-frei	Passivazione chiara trivalente	Pasivado claro trivalente

\* : DIN EN 10263-2 Qst 34-3, BS EN/DIN 10263-2 CBC, Werkstoff 1.0213, SAE 1008



ø	e (grip)		+0.1/-0	A	B	D	J	M	P	Part No/ref
	min.	max.		max.	max.	±0.13	max.	nom.	max.	
M3 x 0.5	0.25	2.00	5.00	4.95	8.20	0.75	7.40	10.50	6.00	09408-72314
M4 x 0.7	0.25	3.00	6.00	5.95	9.20	0.75	8.80	11.50	7.10	09408-72415
	3.00	4.50						13.00		
M5 x 0.8	0.25	3.00	7.00	6.95	10.20	1.00	10.20	13.00	7.90	09408-72517
	3.00	5.50						15.50		
M6 x 1.0	0.50	3.00	9.00	8.95	13.20	1.50	12.70	16.00	9.40	09408-72621
	3.00	5.50						18.50		
M8 x 1.25	0.50	3.00	11.00	10.95	16.40	1.50	15.00	17.50	11.00	09408-72822
	3.00	5.50						20.00		
M10 x 1.5	0.50	3.50	13.00	12.95	18.90	2.25	17.50	22.00	14.50	09408-72028
	3.50	6.00						25.00		

all dimensions in mm / en millimètres / alle Maße in mm / in millimetri / en milímetros

ø				
	Recommended max. torque	Pull-out	Torque-to-turn	Push-out
	Nm max.	kN	Nm min.	kN
M3 x 0.5	1.5	4.2	1.1	1.8
M4 x 0.7	5.1	5.5	2.2	2.9
M5 x 0.8	7.9	8.0	3.4	4.2
M6 x 1.0	12.4	10.8	4.7	6.5
M8 x 1.25	32.0	12.5	6.8	7.9
M10 x 1.5	45.0	17.3	16.7	10.7

**Avdel - Partner seit 1986**



[www.dueko.com](http://www.dueko.com)  
02241/252015-0



An Acument™ Global Technologies Company

[www.avdel-global.com](http://www.avdel-global.com)

© 2007 Acument Intellectual Properties, LLC

Eurosert® is a trade mark of Avdel UK Limited

05.2008

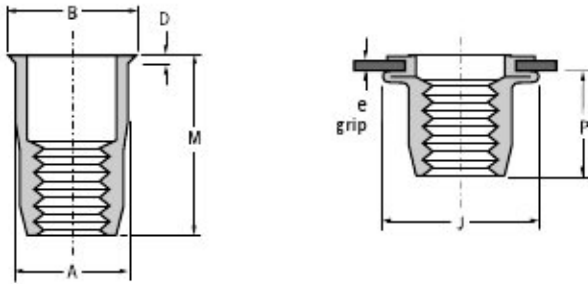
Data shown is subject to change without prior notice as a result of continuous product development and improvement policy.  
 Your local Avdel representative is at your disposal should you need to confirm latest information.

# Eurosert® 39002



For installation information please refer to the tooling overview and manuals on our website [www.avdel-global.com](http://www.avdel-global.com).  
 Pour les conditions de pose, merci de vous référer à la description de l'outil et aux manuels disponibles sur notre site Web.  
 Angaben zur Verarbeitungs entnehmen Sie bitte der Geräteübersicht und den Betriebsanleitungen auf unserer Website.  
 Per informazioni sull'installazione, preghiamo consultare i manuali e la panoramica degli attrezzi sul nostro sito web.  
 Para ver información sobre máquinas de colocación, consulte nuestra página web, a partir de visión general de máquinas y manuales.

English	Français	Deutsch	Italiano	Español
Stainless steel* Natural	Inox* Brut	Edelstahl* Blank	Acciaio inox* Nessuna finitura	Acero inoxidable* Natural
*: Werkstoff 1.4570				



ø	e (grip)		+0.1/-0	A	B	D	J	M	P	Part No/ref
	min.	max.		max.	max.	max.	max.	max.	max.	
M4 x 0.7	0.25	3.00	6.0	5.95	6.70	0.46	8.80	11.30	7.10	39002-24030
M5 x 0.8	0.25	3.00	7.0	6.95	7.80	0.46	10.20	12.70	7.90	39002-25030

all dimensions in mm / en millimètres / alle Maße in mm / in millimetri / en milímetros

ø	 Recommended max torque	 Pull-out	 Torque-to-turn	 Push-out
	Nm max.	kN	Nm min.	kN
M4 x 0.7	5.6	9.8	1.8	1.8
M5 x 0.8	11.3	12.5	2.6	2.5

Avdel - Partner seit 1986



An Acument™ Global Technologies Company

[www.avdel-global.com](http://www.avdel-global.com)

© 2007 Acument Intellectual Properties, LLC

Eurosert® is a trade mark of Avdel UK Limited

04a.2007

Data shown is subject to change without prior notice as a result of continuous product development and improvement policy.  
 Your local Avdel representative is at your disposal should you need to confirm latest information.

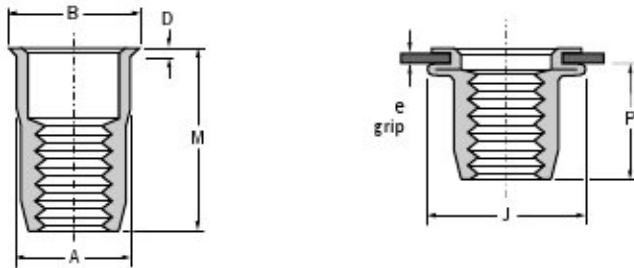
# Eurosert® 39006




For installation information please refer to the tooling overview and manuals on our website [www.avdel-global.com](http://www.avdel-global.com).  
 Pour les conditions de pose, merci de vous référer à la description de l'outil et aux manuels disponibles sur notre site Web.  
 Angaben zur Verarbeitungs-entnehmen Sie bitte der 6er-Übersicht und den Betriebsanleitungen auf unserer Website.  
 Per informazioni sull'installazione preghiamo consultare i manuali e la panoramica degli attrezzi sul nostro sito web.  
 Para ver información sobre máquinas de colocación, consulte nuestra página web, a partir de visión general de máquinas y manuales.

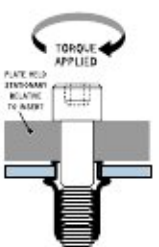
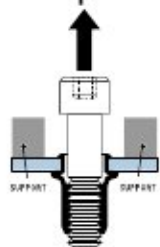
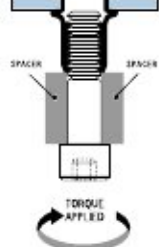
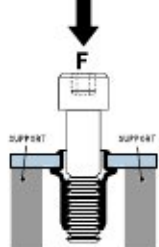
English	Français	Deutsch	Italiano	Español
Low carbon steel*	Acier bas carbone*	Stahl*	Acciaio a basso tenore di carbonio*	Acero bajo en carbono*
Zinc plated Clear trivalent passivated	Revêtement zingué Passivation claire trivalente	Verzinkt Klar chromatiert, Cr6-frei	Zincato Passivazione chiara trivalente	Zincado Pasivado claro trivalente

\* : DIN EN 10263-2 Qst 34-3, BS EN/DIN 10263-2 C8C, Werkstoff 1.0213, SAE 1008



ø	e (grip)		 +0.1/-0	A	B	D	J	M	P	Part No/ref
	min.	max.		max.	max.	±0.13	max.	nom.	max.	
M4 x 0.7	0.25	2.00	6.00	5.97	6.70	0.46	8.80	11.30	7.10	39006-74020
M5 x 0.8	0.25	3.00	7.00	6.97	7.80	0.46	10.20	12.70	7.90	39006-75030
M6 x 1.0	0.50	3.00	9.00	8.97	10.20	0.50	12.70	15.30	9.40	39006-76030
	3.00	5.50						17.80		
M8 x 1.25	0.50	3.50	11.00	10.97	12.20	0.63	15.00	17.30	11.00	39006-78035
	3.50	6.00						19.80		
M10 x 1.5	1.0	3.5	13.00	12.97	14.20	0.63	17.50	20.40	14.50	39006-70035

all dimensions in mm / en millimètres / alle Maße in mm / in millimetri / en milímetros

ø	 Recommended max. torque	 Pull-out	 Torque-to-turn	 Push-out
	Nm max.	kN	Nm min.	kN
M4 x 0.7	5.1	3.6	2.0	1.2
M5 x 0.8	7.9	7.8	2.8	1.4
M6 x 1.0	12.4	15.8	5.0	2.6
M8 x 1.25	32.0	18.1	9.1	3.5
M10 x 1.5	45.0	20.8	16.7	3.9

Avdel - Partner seit 1986



An Acument™ Global Technologies Company

[www.avdel-global.com](http://www.avdel-global.com)

© 2007 Acument Intellectual Properties, LLC

Eurosert® is a trade mark of Avdel UK Limited

05.2008

Data shown is subject to change without prior notice as a result of continuous product development and improvement policy. Your local Avdel representative is at your disposal should you need to confirm latest information.